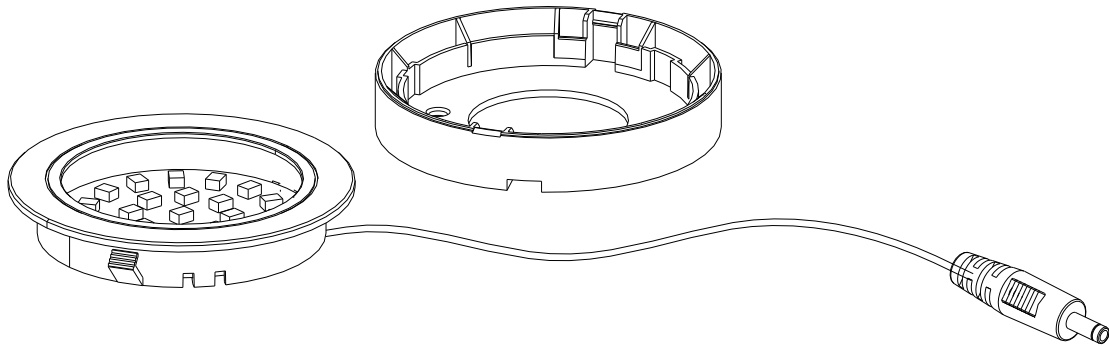


Downlight DL04 Series



Dia:68mm,H:7mm

Product specifications	
Material	Aluminum painted PS + PMMA
Light Source:	High brightness SMD3528 LED
Operating Temperature:	-20°C to 45°C - Indoors
Warranty:	2 years with proper installation
Installation:	Hole diameter should be 61.5mm
Ingress Protection Grade:	IP20

Technical Operating data:

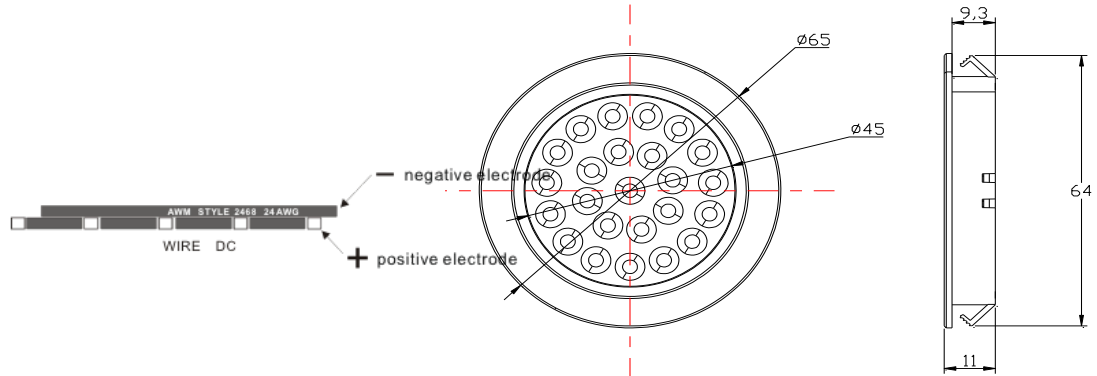
Technical - Electrical Data	
DL04	
Rated wattage	1.8W
Rated lamp efficacy	80lm/W
Rated voltage	12/24VDC
Led quantity	24LEDs SMD 3528
Luminous Flux	110-155lm
Color Temp	2850K RA>80
Angle	90°

Note: Any compatible driver for working.

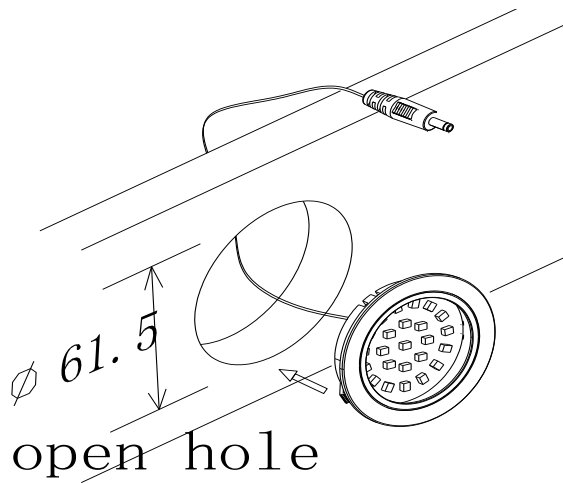
12V: only use equivalent to voltage driver for working.

24V: only use equivalent to voltage driver for working.

Drawing:



Installation information:



Installation diagram (1)

