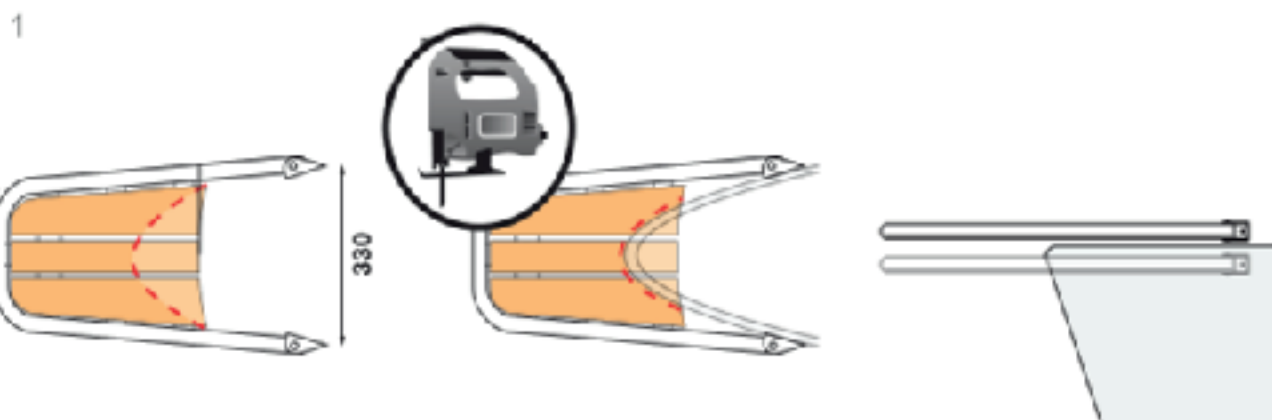
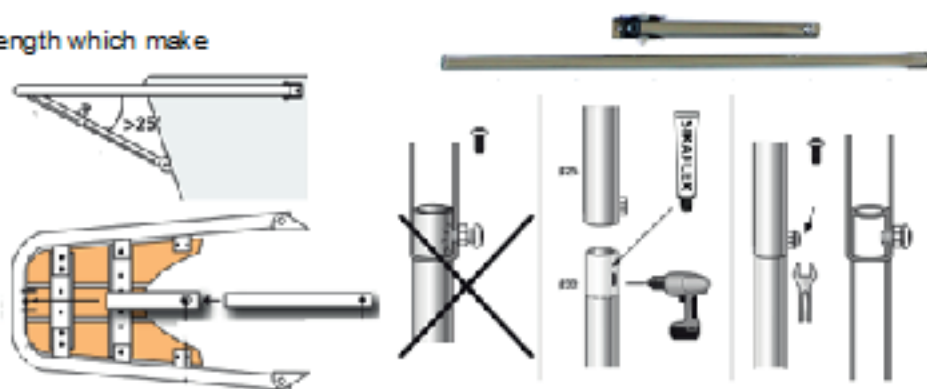


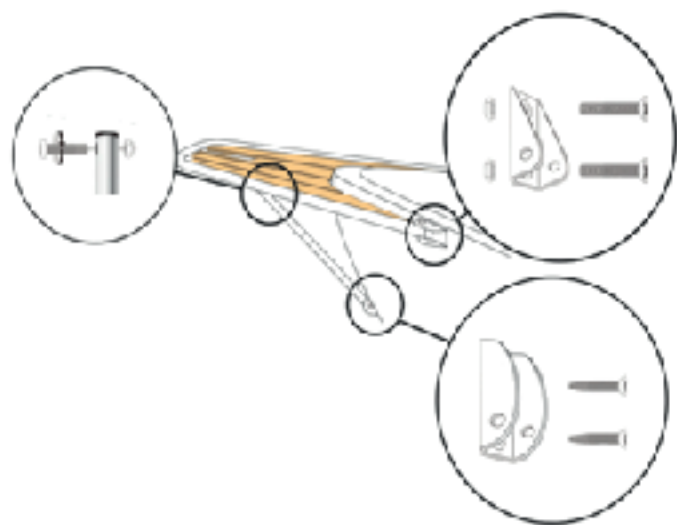
03502096 platform mounting instruction



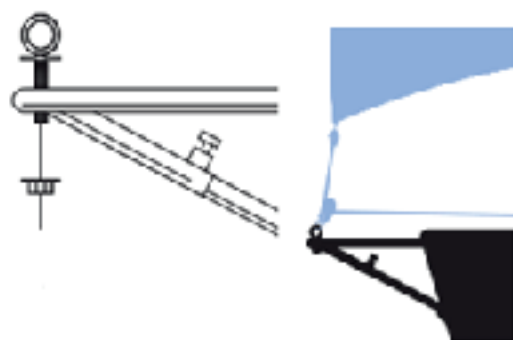
1. customize the teak after bow shape.

2. Adjust support pole to right length which make platform in right position.





3, Find the right screw and fixed platform



4, Lock eye bolt .